



Conversion Top

INSTRUCTION MANUAL

Mode d'emploi pour les table
Manual de Instrucciones

2101 Gaither Road, Suite 125
Rockville, MD 20850

www.joolausa.com



Quality Guarantee

JOOLA is one of the most recognized table tennis brands in the world. Our products are designed to follow the latest safety regulations and are consistently undergoing quality control procedures. The results from these processes are continually used to improve and develop our products. In order to offer our customers the very best products, we reserve the right to make technical changes at any time. If you would like more information, please contact your JOOLA representative or email info@joolausa.com.

For Your Safety

- Please read all safety instructions and directions before assembly. Table is heavy and may require TWO PEOPLE to lift.
- Only use the table tennis table for its intended purpose (JOOLA cannot be held liable for damage or injury due to improper use of the table).
- Damaged or worn parts may be dangerous for users and the table tennis table.
- Unauthorized repairs or alterations to the design (removal of original parts, addition of other components etc.) may be dangerous.
- Please contact your JOOLA representative or fill out a support form on the website if you have any questions.

Handling Equipment and Maintenance

- Make sure that the table tennis table is fully and accurately assembled before use.
- The table should not be moved, assembled or stored by children without adult supervision.
- Set the table up on a level surface.
- Do not cover it with plastic foil because condensation may form beneath it.
- Do not use corrosive or abrasive materials to clean the equipment as it may damage the surfaces of the table. In most cases, a slightly dampened cloth is sufficient.

FIG.1

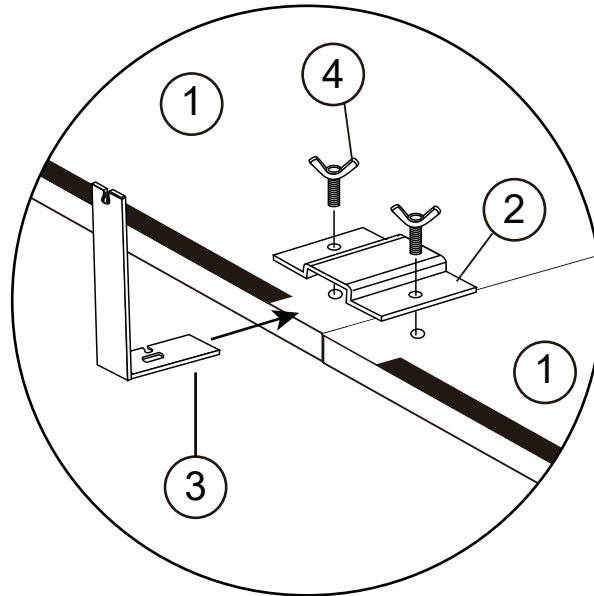
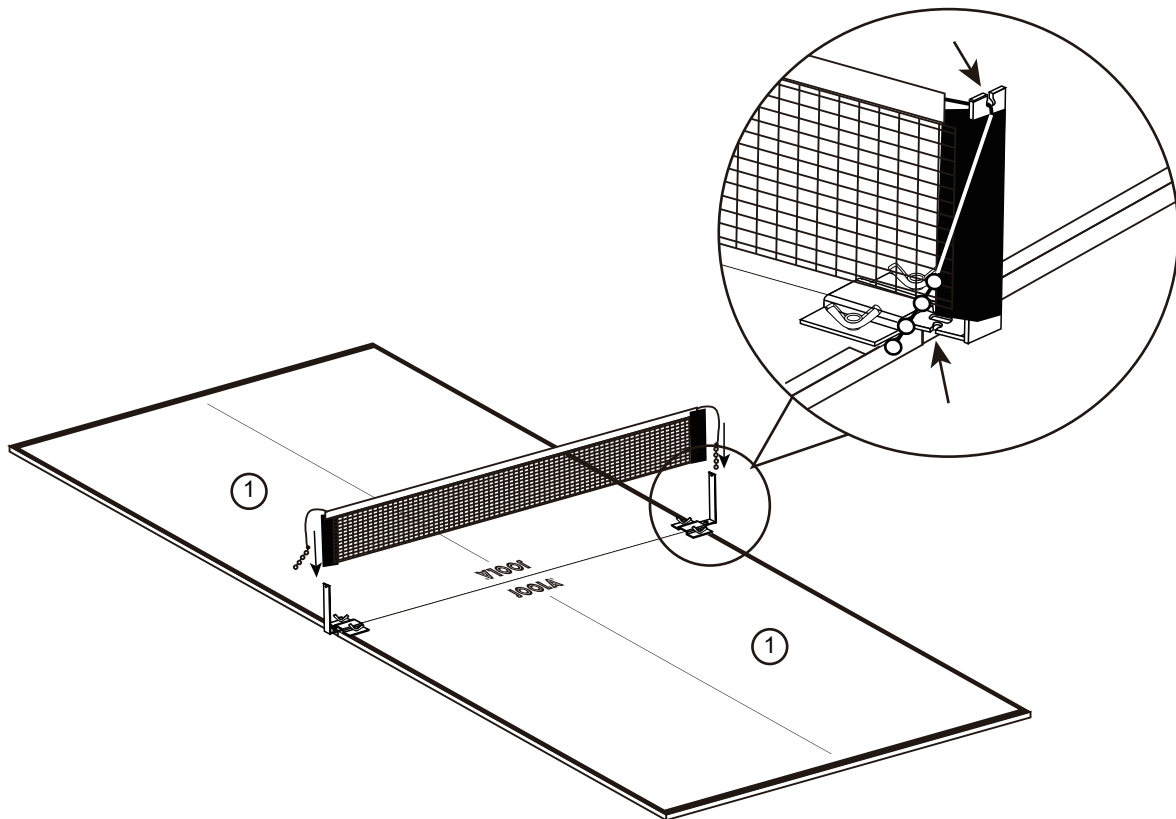


FIG.2



**YOU ARE NOW
READY
TO PLAY!**

**VOUS ÊTES
MAINTENANT
PRÊTS À
JOUER!**

**YA ESTÁ
LISTO PARA
JUGAR!**

